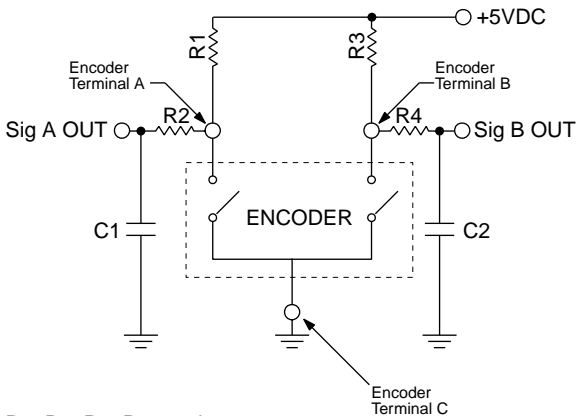


RECOMMENDED FILTER CIRCUIT FOR ALL MECHANICAL ENCODERS



$R1, R2, R3, R4 = 10k\Omega$
 $C1, C2 = 0.01\mu F$